

SCOTT Speedster 40

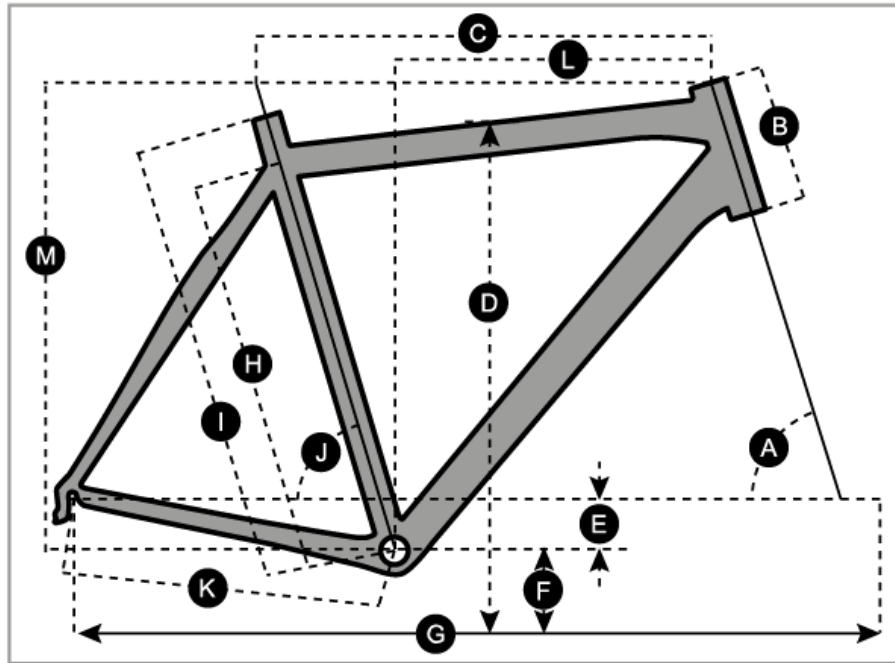


Frame	Speedster / D. Butted 6061 Alloy Endurance geometry / Integrated Headtube, Int. cable routing
Fork	Speedster Alloy 1 1/8" Alloy steerer
Headset	Integrated Steel Cup
Rear Derailleur	Shimano Claris RD-R2000-GS 16 Speed
Front Derailleur	Shimano Claris FD-R2000
Shifters	Shimano Claris ST-R2000 Dual control 16 Speed
Brakes	Tektro BR-315 Cartridge Pads 39-51mm
Crankset	Shimano Claris FC-RS200 50x34 T
BB-Set	Shimano BB-UN26
Handlebar	Syncros Creston 2.0 Compact Alloy 31.8mm
H'stem	JD STI23A Alloy 1 1/8" / Four Bolt 31.8mm
Seatpost	Syncros RR 2.5 27.2 / 350mm
Seat	Syncros Tofino Regular 2.5
Hub (Front)	Formula Comp 24H
Hub (Rear)	Formula Comp 28H
Chain	KMC X8
Cassette	Shimano CS-HG50 8 Speed 11-32 T

Spokes	SHA-DAR Black 2mm
Rims	Syncros Race 23 Front 24 / Rear 28
Tires	Schwalbe Lugano 700x28C
Aprox weights in KG	10.63
System Weight	120 kg Le poids total inclus le vélo, le poids du cycliste, son équipement et des éventuels accessoires.



Le SCOTT Speedster est un vélo léger et maniable, à un budget modéré. Le Speedster 40 est doté d'une transmission Shimano et de composants Syncros. Vous allez booster votre vitesse !



SPEEDSTER

		XXS/47	XS/49	S/52	M/54	L/56	XL/58	XXL/61
A	head tube angle	70.5 °	71.0 °	72.0 °	72.5 °	73.0 °	73.3 °	73.3 °
B	head tube length	111.0 mm	121.0 mm	141.0 mm	161.0 mm	181.0 mm	201.0 mm	221.0 mm
C	top tube horizontal	505.0 mm	515.0 mm	530.0 mm	545.0 mm	560.0 mm	575.0 mm	590.0 mm
D	standover height	725.3 mm	741.1 mm	767.5 mm	787.5 mm	807.5 mm	827.1 mm	851.4 mm
E	BB offset	-67.0 mm	-67.0 mm	-67.0 mm	-67.0 mm	-67.0 mm	-67.0 mm	-67.0 mm
F	BB height	282.0 mm	282.0 mm	282.0 mm	282.0 mm	282.0 mm	282.0 mm	282.0 mm
G	wheel base	973.1 mm	979.4 mm	981.2 mm	986.8 mm	991.6 mm	999.0 mm	1,012.7 mm
H	BB center to toptube center	410.0 mm	430.0 mm	460.0 mm	480.0 mm	500.0 mm	520.0 mm	550.0 mm
I	BB center to top of seattube	470.0 mm	490.0 mm	520.0 mm	540.0 mm	560.0 mm	580.0 mm	610.0 mm
J	seat angle	75.0 °	75.0 °	74.5 °	74.0 °	73.5 °	73.1 °	73.0 °
K	chainstay	415.0 mm	415.0 mm	415.0 mm	415.0 mm	415.0 mm	415.0 mm	415.0 mm
L	reach	366.6 mm	373.5 mm	377.3 mm	381.2 mm	384.6 mm	389.0 mm	397.0 mm
M	stack	516.7 mm	527.9 mm	550.5 mm	571.3 mm	592.3 mm	612.5 mm	613.6 mm

SIZE CHARTS

Body Height	< 165 cm	165 - 175 cm	175 - 185 cm	185 - 195 cm	> 195 cm
SPARK SPARK eRIDE CONTESSA SPARK CONTESSA SPARK eRIDE AXIS EVO eRIDE		S	M	L	XL
GENIUS CONTESSA GENIUS GENIUS eRIDE CONTESSA GENIUS eRIDE RANSOM STRIKE eRIDE CONTESSA STRIKE eRIDE		S	M	L	XL
GAMBLER		S	M	L	
SCALE CONTESSA SCALE BIG JON	XS	S	M	L	XL
ASPECT ASPECT eRIDE CONTESSA ASPECT eRIDE AXIS eRIDE	XS	S	M	L	XL
FOIL ADDICT CONTESSA ADDICT ADDICT CX METRIX SPEEDSTER CONTESSA SPEEDSTER ADDICT GRAVEL SPEEDSTER GRAVEL CONTESSA SPEEDSTER GRAVEL	XXS	XS	S	M	L
SILENCE eRIDE SUB SUB eRIDE		S	M	L	XL
PLASMA		S	M	L	XL
CONTESSA ACTIVE CONTESSA SCALE ALLOY	XS	S	M	L	
FUTUREPRO					
Body Height	140-150 cm	150-160 cm	160-170 cm		
SCALE 700		XS	S	M	
SPARK 700		XS	S		
SPARK 600	XS				
ROXTER 600 CONTESSA 600 ROXTER eRIDE 26	XS	S	M		
JUNIOR					
Body Height	85-100 cm	90-110 cm	95-125 cm	120-135 cm	130-145 cm
Approximate Age	2-4	3-5	4-6	6-9	9-11
SCALE			Wheel 16"	Wheel 20"	Wheel 24"
ROXTER	Wheel 12"	Wheel 14"	Wheel 16"	Wheel 20"	Wheel 24"
CONTESSA	Wheel 12"	Wheel 14"	Wheel 16"	Wheel 20"	Wheel 24"
GRAVEL					Wheel 24"
ROXTER eRIDE 24					Wheel 24"