

SCOTT Speedster 50



Frame
Speedster / Butted 6061 Alloy
Endurance geometry / Integrated
Headtube

Spokes
SHA-DAR Black 2mm

Fork
Speedster Alloy
1 1/8" Alloy steerer

Rims
Syncros Race 23
Front 24 / Rear 28

Headset
Integrated Steel Cup

Tires
Schwalbe Lugano
700x28C

Rear Derailleur
Shimano RD-A070
14Speed

Aprox weights in KG
10.40

Front Derailleur
Shimano FD-A070

System Weight
120 kg
Le poids total inclus le vélo, le poids du cycliste, son équipement et des éventuels accessoires.

Shifters
Shimano ST-A070
Dual control 14Speed

Brakes
Tektro BR-315
Cartridge Pads 39-51mm

Crankset
Shimano Claris FC-RS200
50x34 T

BB-Set
Shimano BB-UN26

Handlebar
Syncros Creston 2.0 Compact
Alloy 31.8mm

H'stem
JD STI23A Alloy
1 1/8" / Four Bolt 31.8mm

Seatpost
Syncros RR 2.5
27.2 / 350mm

Seat
Syncros Tofino Regular 2.5

Hub (Front)
Formula Comp 24H

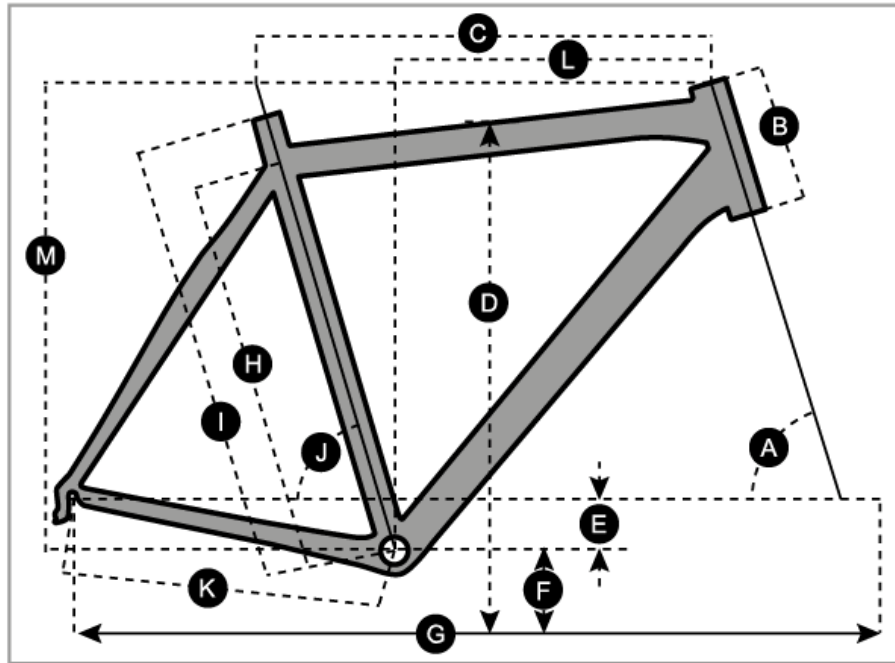
Hub (Rear)
Formula Comp 28H

Chain
KMC Z-7

Cassette
Shimano CS-HG41
7 Speed 11-28



Le SCOTT Speedster est un vélo léger et maniable, à un budget modéré. Le Speedster 50 est doté d'une transmission Shimano et de composants Syncros. Vous allez booster votre vitesse !



SPEEDSTER

		XXS/47	XS/49	S/52	M/54	L/56	XL/58	XXL/61
A	head tube angle	70.5 °	71.0 °	72.0 °	72.5 °	73.0 °	73.3 °	73.3 °
B	head tube length	111.0 mm	121.0 mm	141.0 mm	161.0 mm	181.0 mm	201.0 mm	221.0 mm
C	top tube horizontal	505.0 mm	515.0 mm	530.0 mm	545.0 mm	560.0 mm	575.0 mm	590.0 mm
D	standover height	725.3 mm	741.1 mm	767.5 mm	787.5 mm	807.5 mm	827.1 mm	851.4 mm
E	BB offset	-67.0 mm	-67.0 mm	-67.0 mm	-67.0 mm	-67.0 mm	-67.0 mm	-67.0 mm
F	BB height	282.0 mm	282.0 mm	282.0 mm	282.0 mm	282.0 mm	282.0 mm	282.0 mm
G	wheel base	973.1 mm	979.4 mm	981.2 mm	986.8 mm	991.6 mm	999.0 mm	1,012.7 mm
H	BB center to toptube center	410.0 mm	430.0 mm	460.0 mm	480.0 mm	500.0 mm	520.0 mm	550.0 mm
I	BB center to top of seattube	470.0 mm	490.0 mm	520.0 mm	540.0 mm	560.0 mm	580.0 mm	610.0 mm
J	seat angle	75.0 °	75.0 °	74.5 °	74.0 °	73.5 °	73.1 °	73.0 °
K	chainstay	415.0 mm	415.0 mm	415.0 mm	415.0 mm	415.0 mm	415.0 mm	415.0 mm
L	reach	366.6 mm	373.5 mm	377.3 mm	381.2 mm	384.6 mm	389.0 mm	397.0 mm
M	stack	516.7 mm	527.9 mm	550.5 mm	571.3 mm	592.3 mm	612.5 mm	613.6 mm

SIZE CHARTS

Body Height	< 165 cm	165 - 175 cm	175 - 185 cm	185 - 195 cm	> 195 cm
SPARK SPARK eRIDE CONTESSA SPARK CONTESSA SPARK eRIDE AXIS EVO eRIDE		S	M	L	XL
GENIUS CONTESSA GENIUS GENIUS eRIDE CONTESSA GENIUS eRIDE RANSOM STRIKE eRIDE CONTESSA STRIKE eRIDE		S	M	L	XL
GAMBLER		S	M	L	
SCALE CONTESSA SCALE BIG JON	XS	S	M	L	XL
ASPECT ASPECT eRIDE CONTESSA ASPECT eRIDE AXIS eRIDE	XS	S	M	L	XL
FOIL ADDICT CONTESSA ADDICT ADDICT CX METRIX SPEEDSTER CONTESSA SPEEDSTER ADDICT GRAVEL SPEEDSTER GRAVEL CONTESSA SPEEDSTER GRAVEL	XXS	XS	S	M	L
SILENCE eRIDE SUB SUB eRIDE		S	M	L	XL
PLASMA		S	M	L	XL
CONTESSA ACTIVE CONTESSA SCALE ALLOY	XS	S	M	L	
FUTUREPRO					
Body Height	140-150 cm	150-160 cm	160-170 cm		
SCALE 700		XS	S	M	
SPARK 700		XS	S		
SPARK 600	XS				
ROXTER 600 CONTESSA 600 ROXTER eRIDE 26	XS	S	M		
JUNIOR					
Body Height Approximate Age	85-100 cm 2-4	90-110 cm 3-5	95-125 cm 4-6	120-135 cm 6-9	130-145 cm 9-11
SCALE			Wheel 16"	Wheel 20"	Wheel 24"
ROXTER	Wheel 12"	Wheel 14"	Wheel 16"	Wheel 20"	Wheel 24"
CONTESSA	Wheel 12"	Wheel 14"	Wheel 16"	Wheel 20"	Wheel 24"
GRAVEL					Wheel 24"
ROXTER eRIDE 24					Wheel 24"